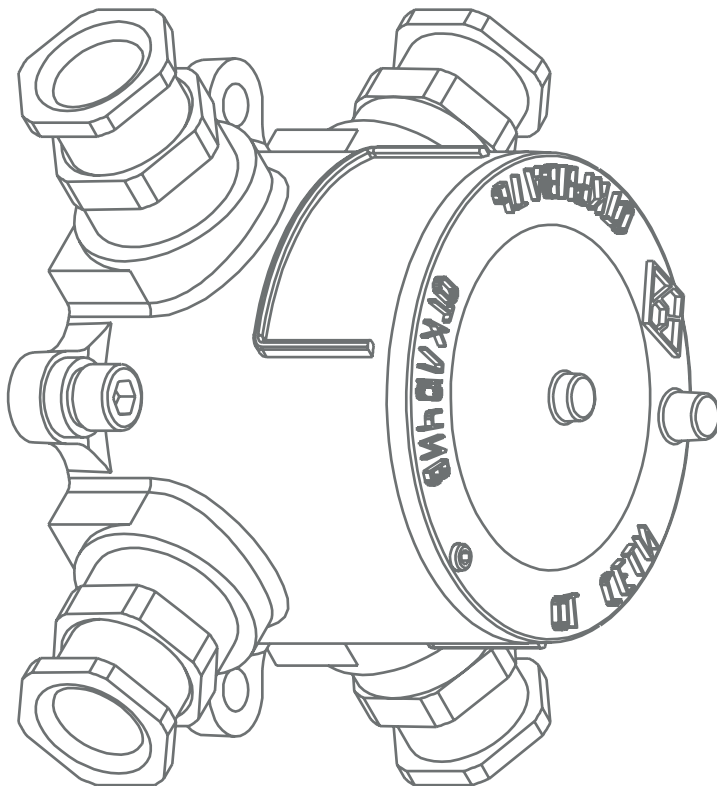
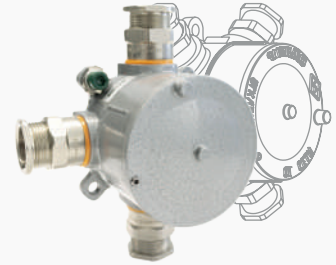


ELECTROLUCH

KP-B64 JUNCTION BOX



KP-B64



EXPLOSION PROOF



DATA SHEET

MODEL	2-2	3-1	4-0
DIMENSIONS	VARIOUS (SEE DRAWINGS)		
NET FIXTURE WEIGHT (CAB. GLANDS «B»)	0.94 kg	1.1 kg	1.26 kg
ENCLOSURE MATERIAL	COPPER FREE ALUMIMUM ALLOY		
COATING	POLYESTER POWDER COATING		
MOUNTING	MARINE GRADE STAINLESS STEEL PARTS AND SCREWS		
TERMINAL TYPE	WAGO SPRING NOT SERVICEABLE		
TERMINAL MARKING	PE-N-L1		
SECTION OF CONDUCTOR WIRE	0,75 ... 2,5 mm ²		
RATED VOLTAGE	220 V		
RATED CURRENT	24 A	24 A	24 A
NUMBER OF CONTACT GROUPS	3		
NUMBER OF TERMINALS PER GROUP	4		
EL. CONNECTION DIAGRAM	L, N, PE		
GROUNDING	INNER AND EXTERNAL EARTHING SCREW		
NUMBER OF HOLES FOR CAB. INPUTS	4	4	4
NUMBER OF CABLES GLANDS INCLUDED	2	3	4
NUMBER OF PLUGS INCLUDED	2	1	0
AMBIENT OPERATING TEMPERATURE	-60 C° ... +55 C°	-60 C° ... +55 C°	-60 C° ... +55 C°
T-RAITING FOR (+55°C)	T6	T6	T6
LIFE TIME	10 YEARS		
WARRANTY	5 YEARS		
IP	66		

EXPLOSION PROTECTION MARKING

1Ex d IIC T6

CERTIFICATES

ST.RU C-RU.HA65.B.00380/19
ИЖЦБ.686465.001TY

MEETS STANDARDS

ГОСТ ISO 9001-2011 (ISO 9001:2008)
ГОСТ 12.2.007.0-75
ГОСТ 14254-2015
ГОСТ 31610.0-2012 (IEC 60079-0:2004)
ГОСТ IEC 60079-1-2011
ГОСТ P 53320-2009
TPTC 012/2011



ORDERING INFORMATION:

KP-B64-d-4-0-20-B



2 NUMBER OF CAB. GLANDS

- 2 - 2 cable glands
- 3 - 3 cable glands
- 4 - 4 cable glands

3 NUMBER OF PLUGS

- 2 - 2 PLUGS
- 1 - 1 PLUG
- 0 - 0 WITHOUT PLUGS

4 CABLE DIAMETER

- 20S16 - \varnothing 3,1 - 8,6mm
- 20S - \varnothing 3,1 - 11,7mm
- 20 - \varnothing 6,5 - 13,9mm

5 TYPE OF CAB. GLANDS

- 0 - unarmored cable
- B - armored cable
- MP10 - in metal hose dia.10mm
- MP12 - in metal hose dia.12mm
- MP15 - in metal hose dia.15mm
- MP20 - in metal hose dia.20mm
- T20 - in pipe M20/1.5
- T25 - in pipe M25/1.5
- T1 - in pipe G1/2"
- T2 - in pipe G3/4"

6 / OPTIONS

- one or more options, below

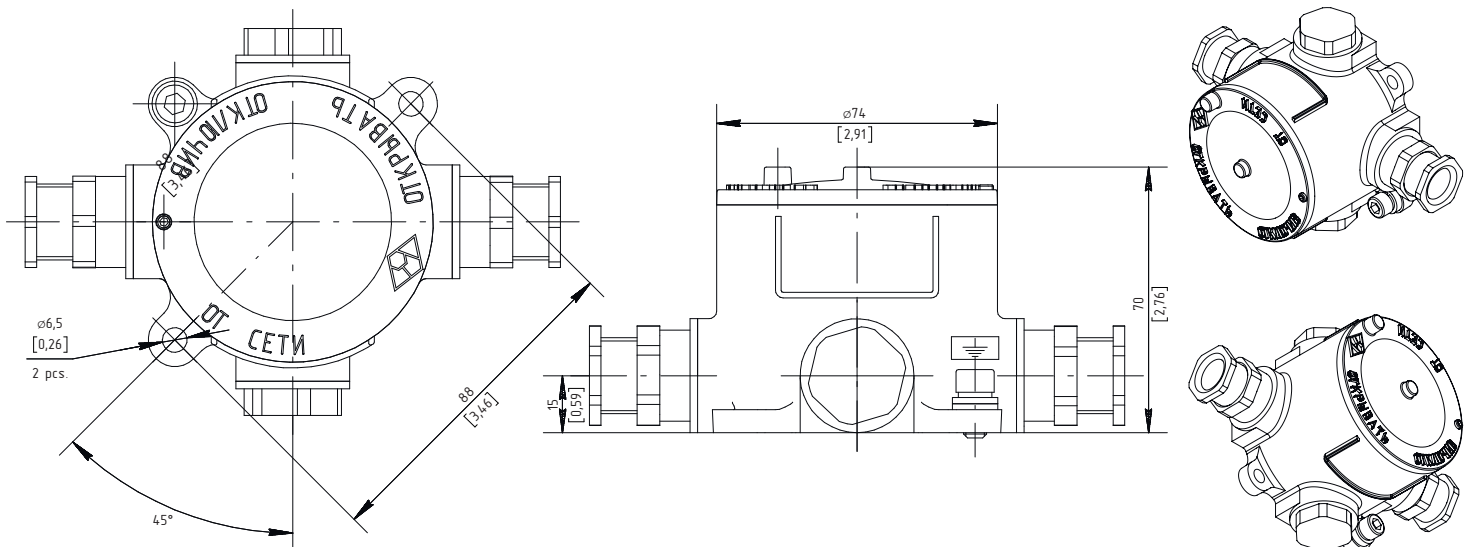
NUMBER OF CABLE WIRE / option 1

- FOR THREE-PIECE CABLE (BASIC)
- W - FOR FIVE-WIRE CABLE

KP-B64-2-2

FLOOR MOUNTING

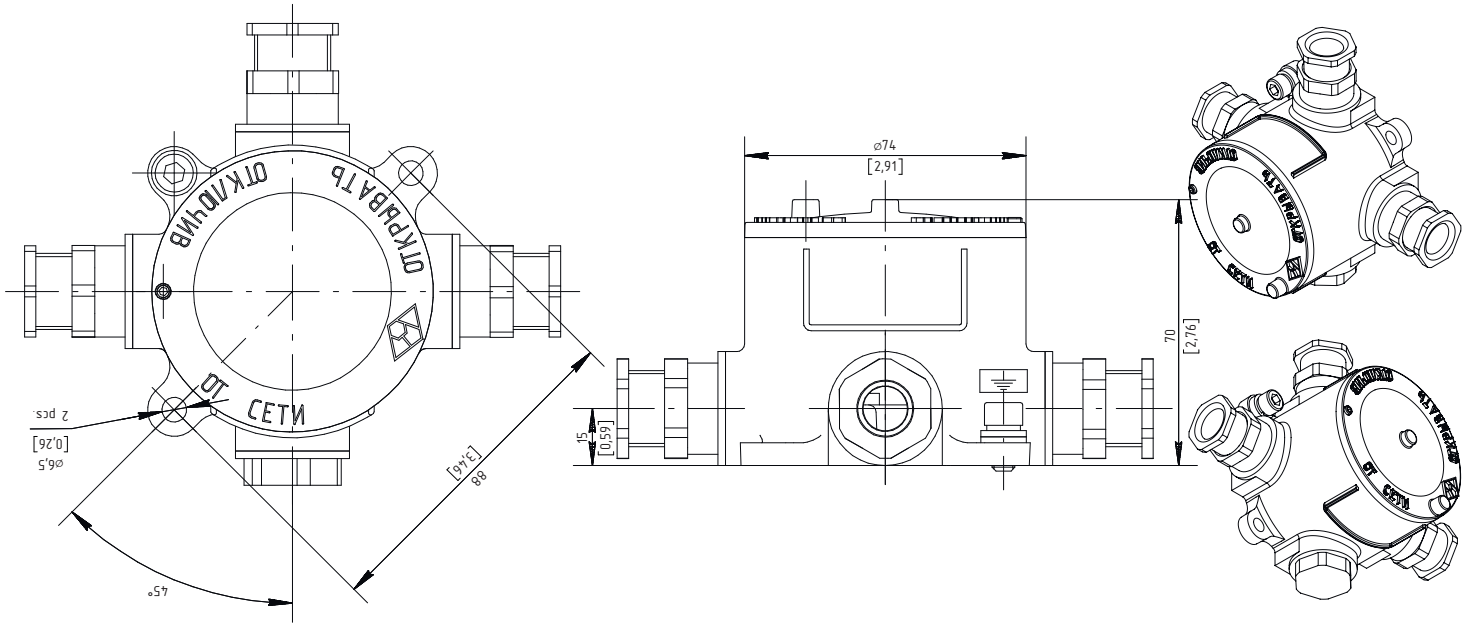
FIXTURE WEIGHT:
AND CABLE GLANDS "B":
0,94 kg / 2,07 lb



KP-B64-3-1

FLOOR MOUNTING

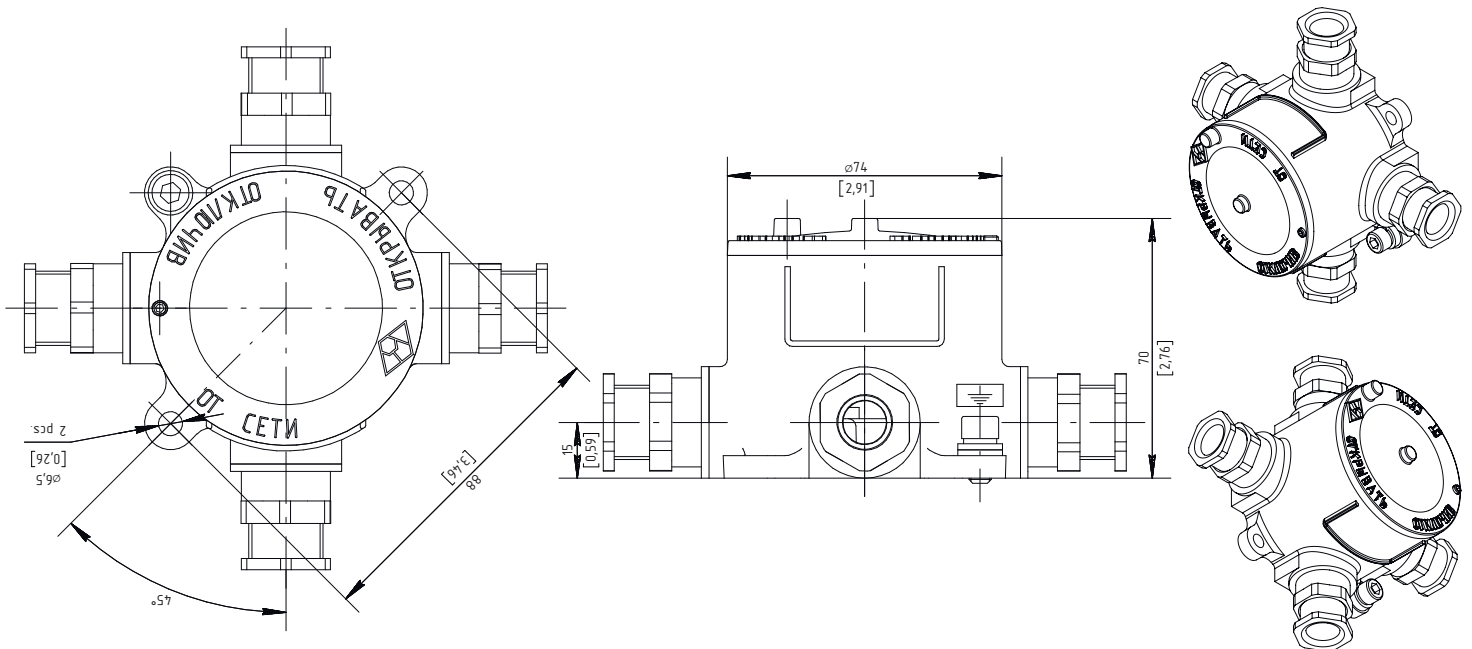
FIXTURE WEIGHT:
AND CABLE GLANDS "B":
1,1 kg / 2,43 lb



KP-B64-4-0

FLOOR MOUNTING

FIXTURE WEIGHT:
AND CABLE GLANDS "B":
1,26 kg / 2,78 lb



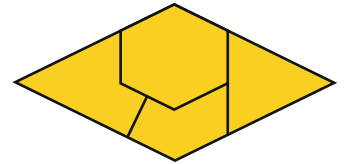


CONTACTS

(800) 700-9195

CONTACT@E-LOOCH.RU

215010, RUSSIA, GAGARIN,
ST. KRASNOARMEYSKAYA, 86



ELECTROLUCH

